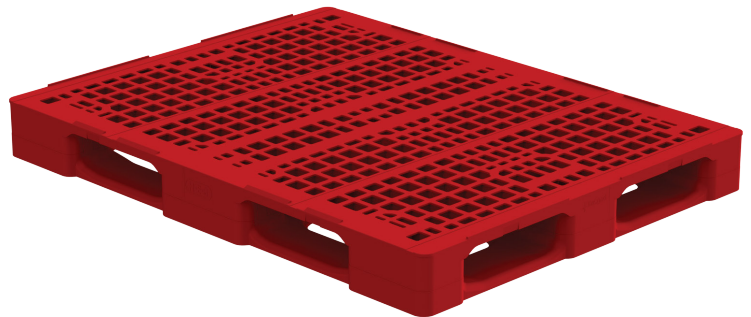
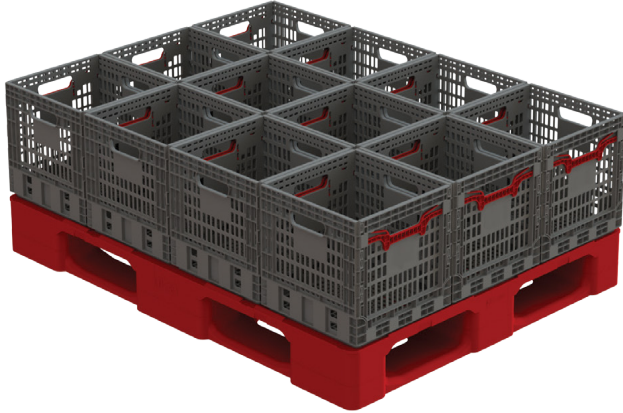




**PLASTIC**  
PALLET PROS

## RRM Milk Pallet

SKU: RRM SR1022 52.40



## SPECIFICATIONS

### DIMENSIONS

Dimensions (L/ W/ H) 52 / 40 / 5.26 (in)

### LOGISTICS

Weight	59 (LB) 50 without Metal
Maximum Load Dynamic	3,500 (LB)
Maximum Load Static	7,000 (LB)
Racking Capacity	3,500 (LB)
Pallets Per Stack	20

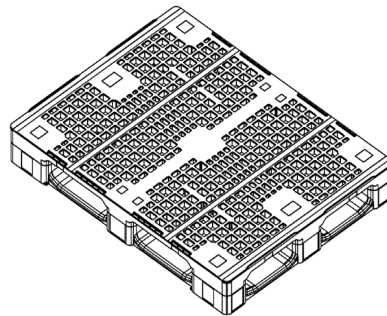
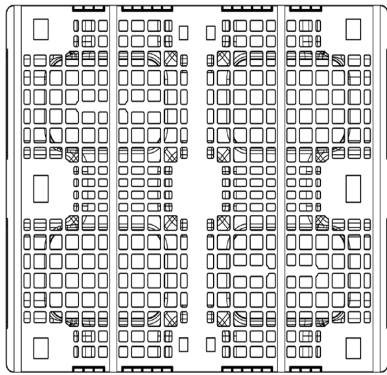
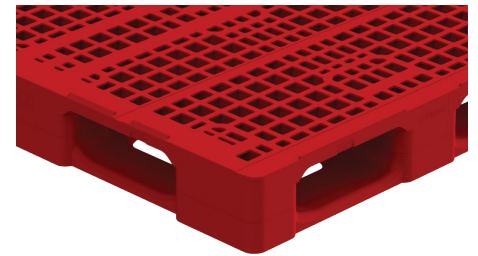
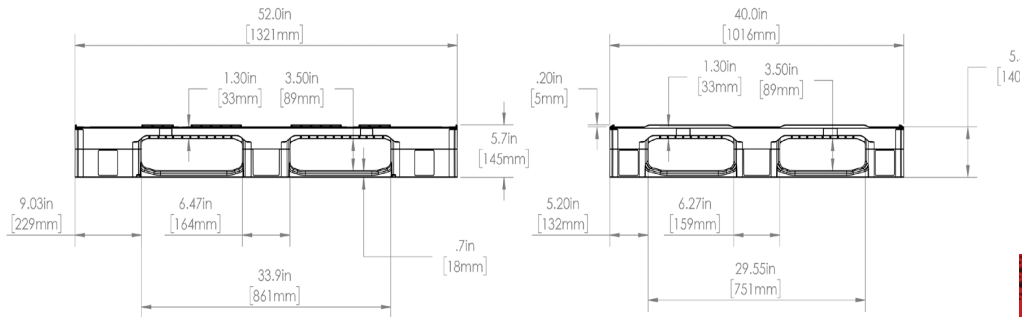
**53' Truckload - Quantity - 520**

### MATERIAL (If Applicable)



# RRM Milk Pallet

SKU: RRM SR1022 52.40



- Hygienic pallet, Designed for the milk industry
- Fits 12 Milk Crates per layer
- Eco-friendly
- 100% Recyclable
- Extreme robustness and durability
- Full 4 ways forklift entry
- Racking ability